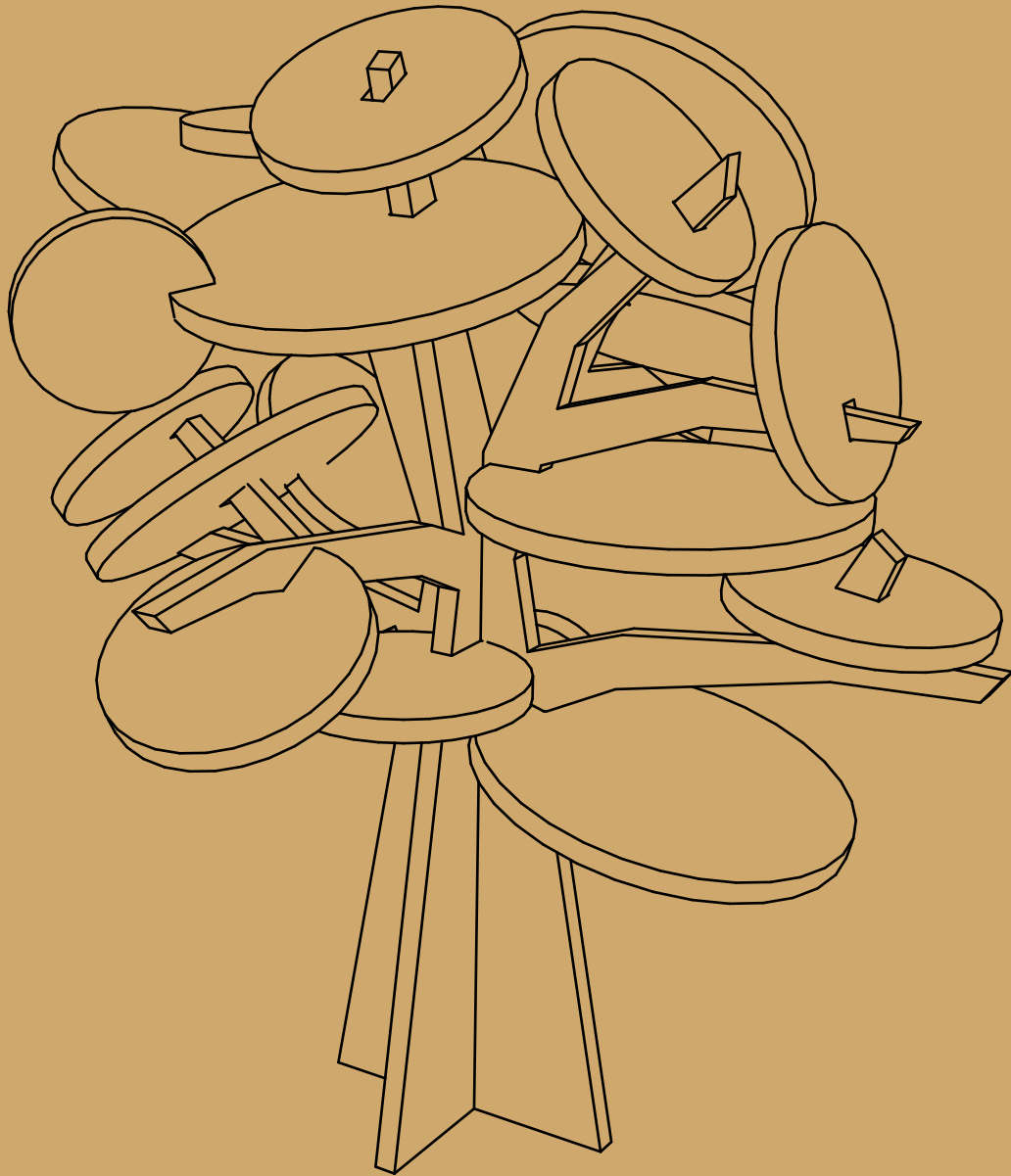
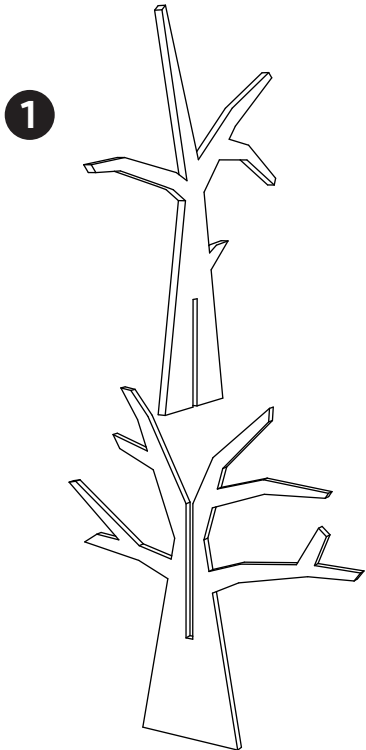
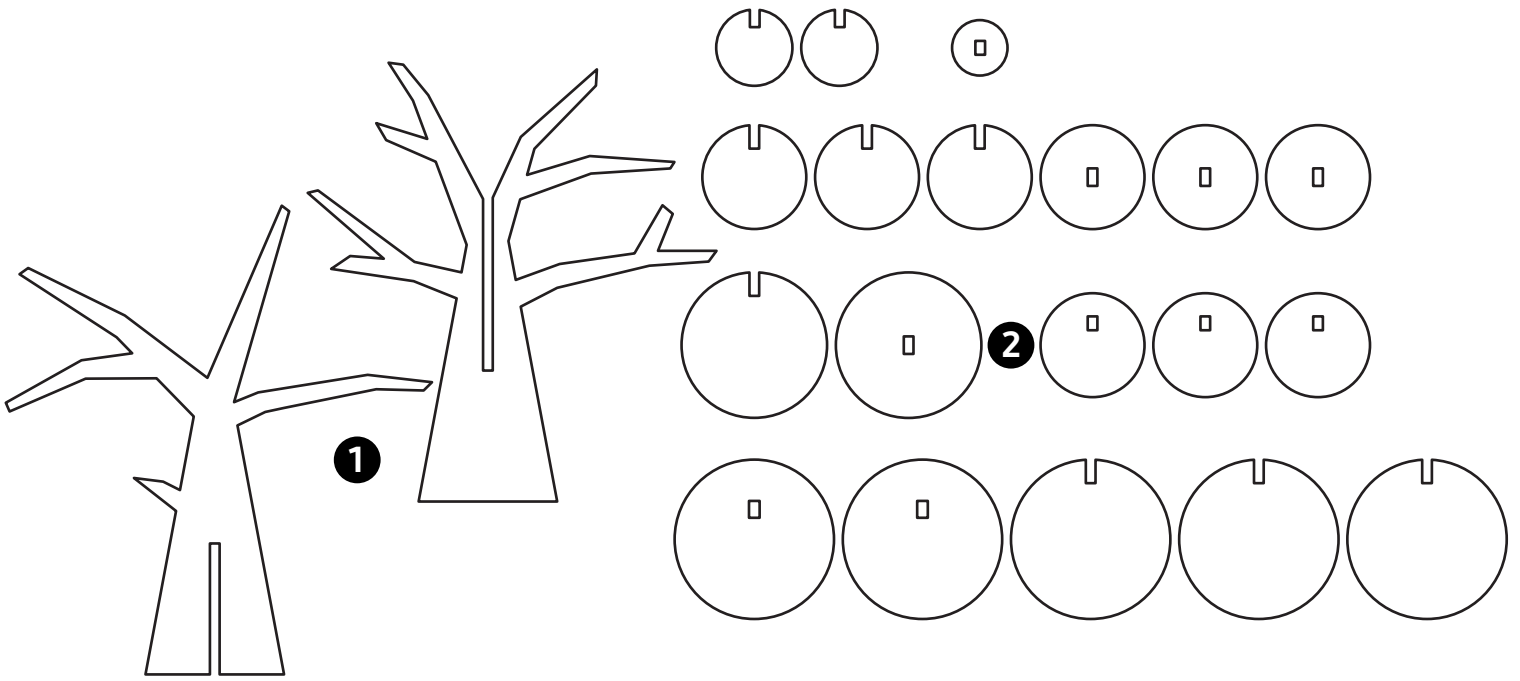


Small World

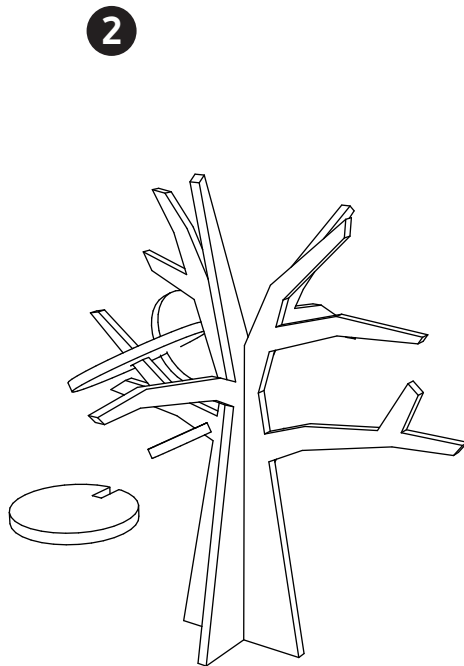
Cherry Blossom Tree 5/6



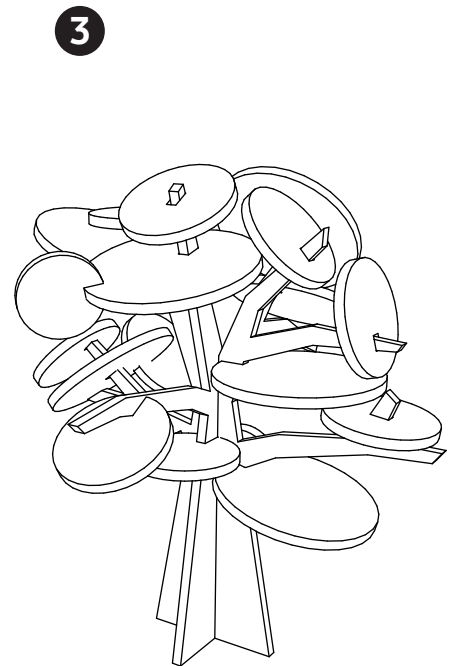
Turn any used box into a cherry blossom tree



1 Slip together the trunk.

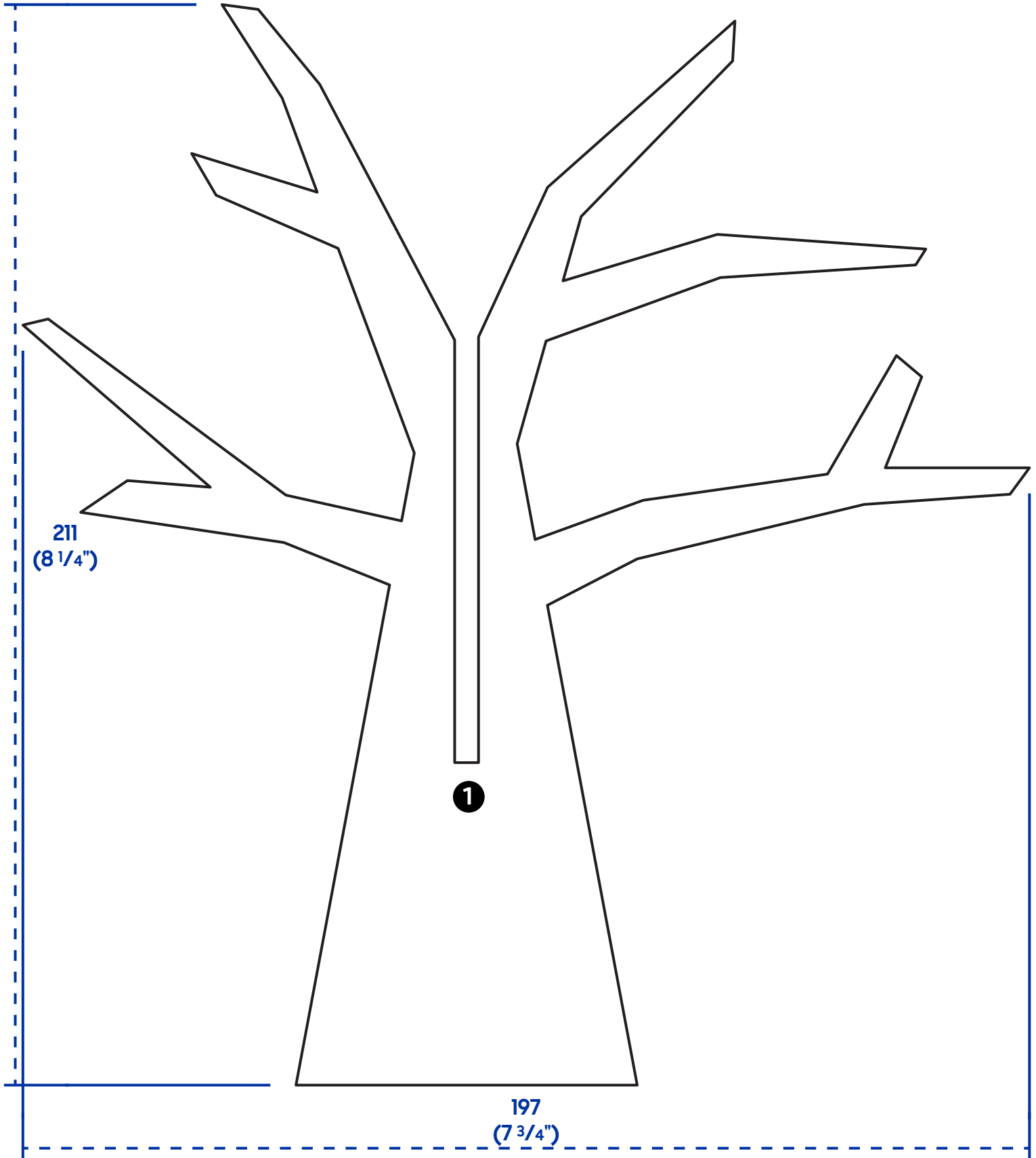


2 Mix and match to create your own unique tree.

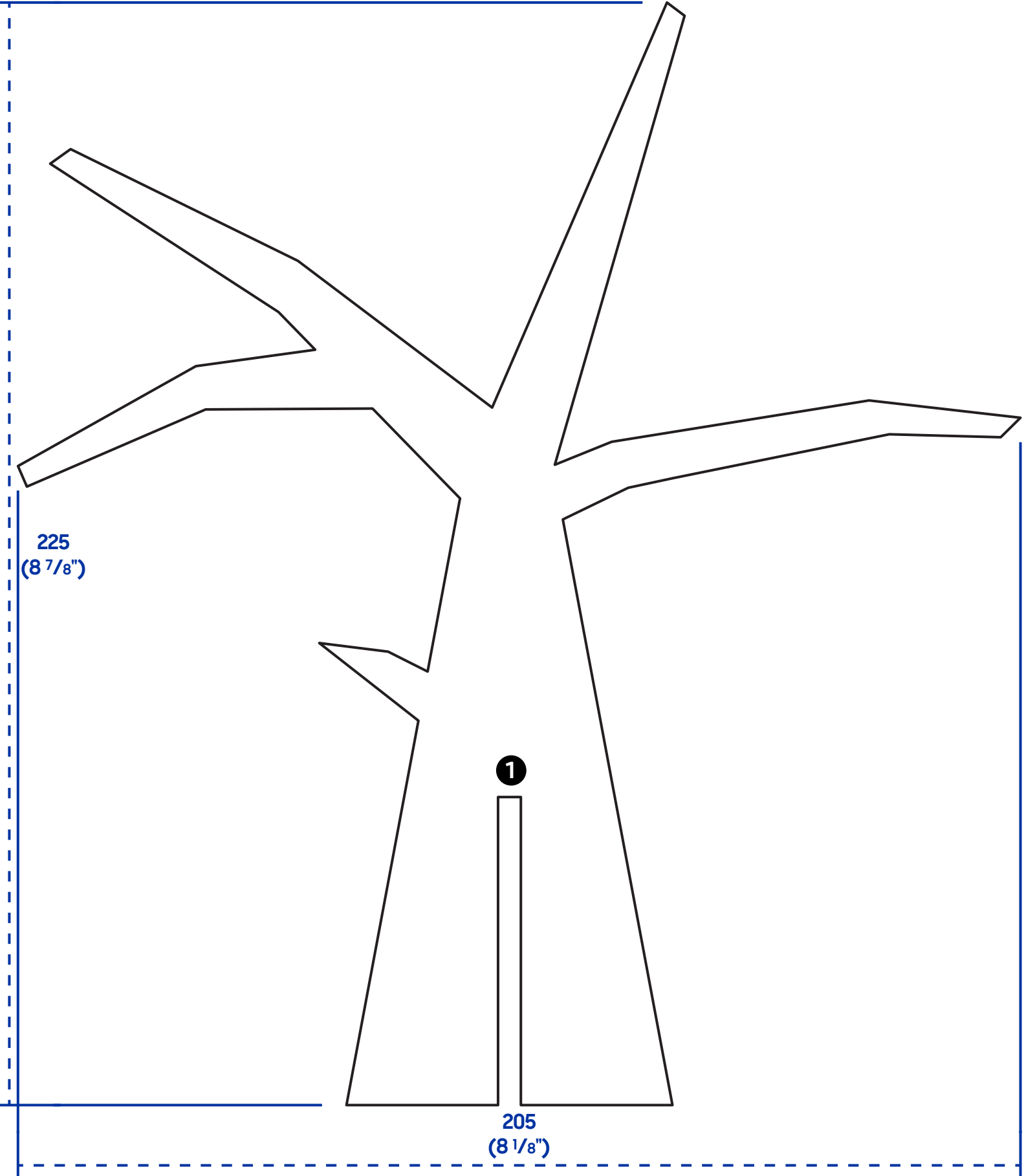


3 Add some color to it.

Turn any used box into
a cherry blossom tree



Turn any used box into
a cherry blossom tree

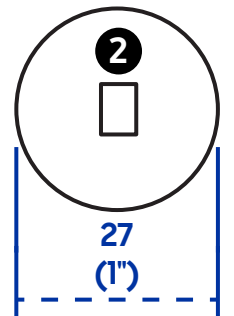
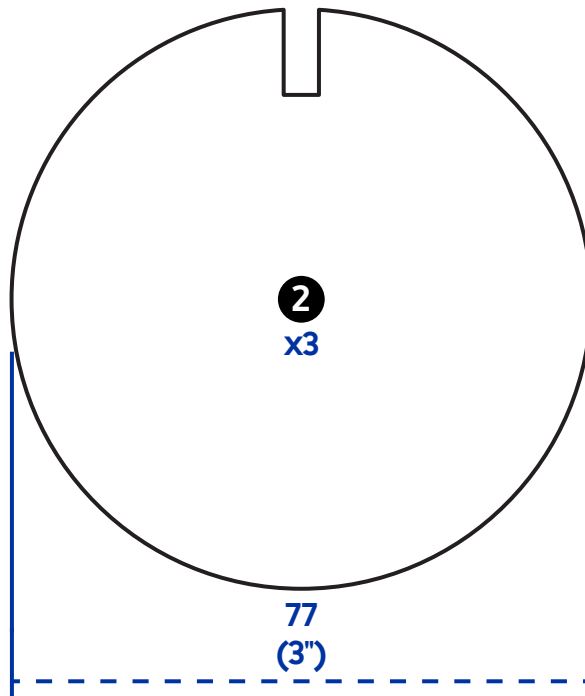
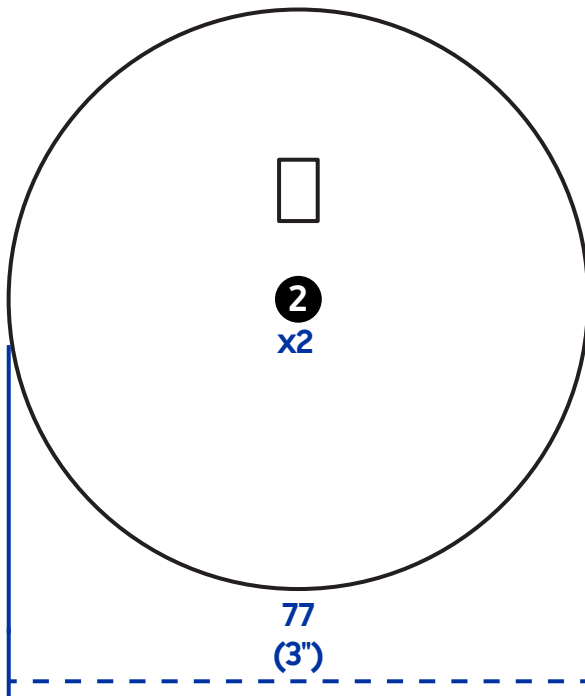
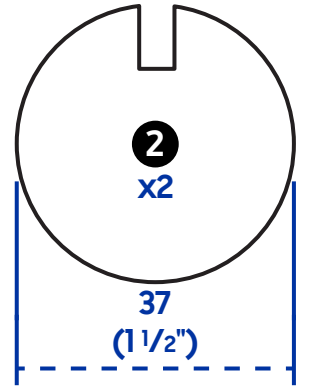
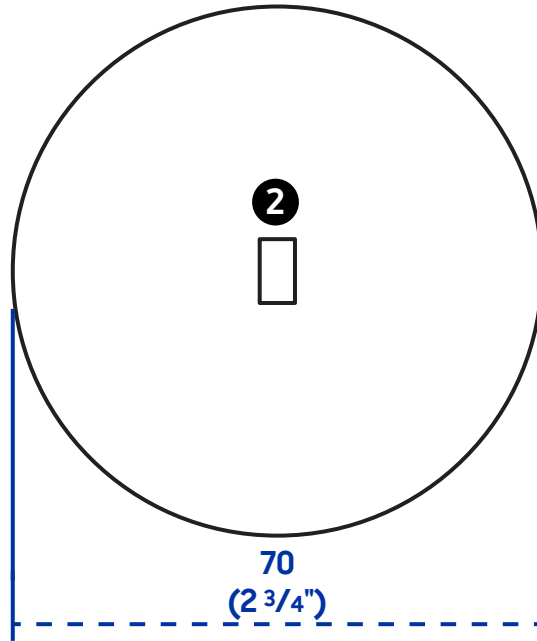
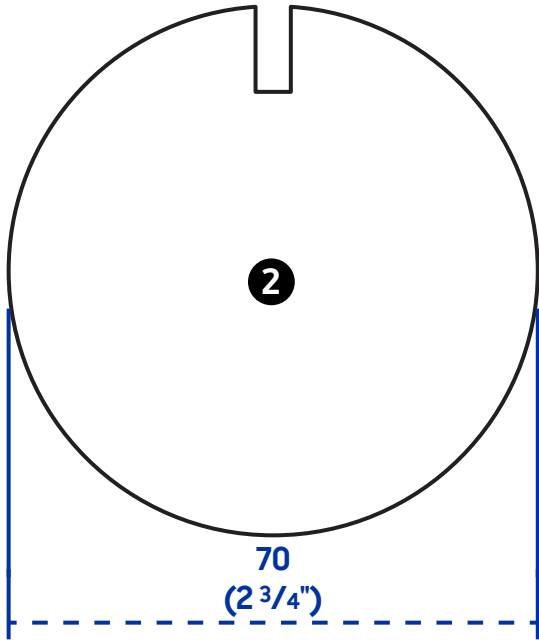
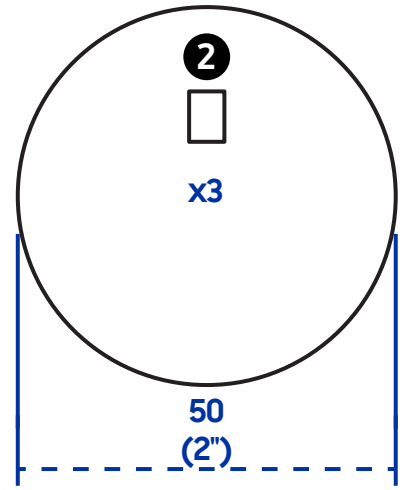
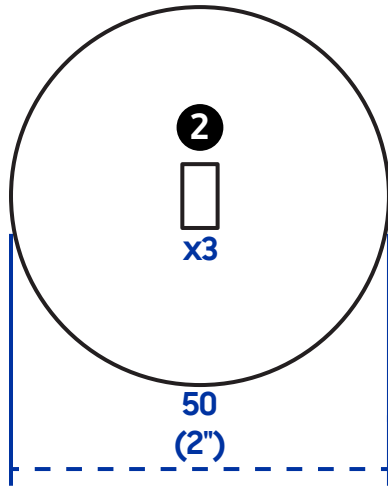
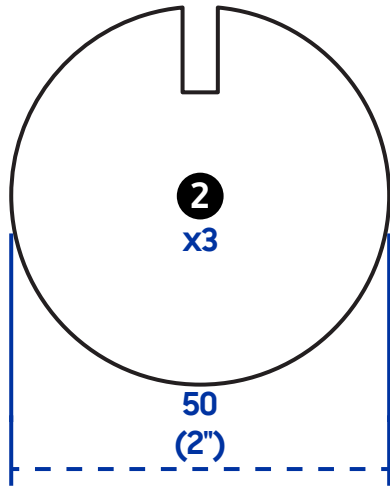


225
(8 7/8")

1

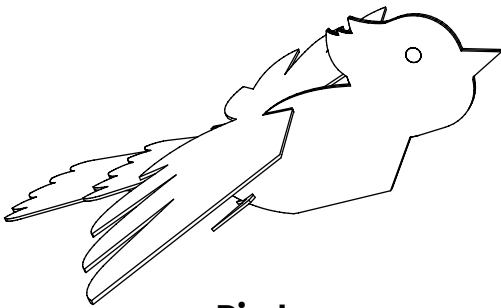
205
(8 1/8")

Turn any used box into a cherry blossom tree

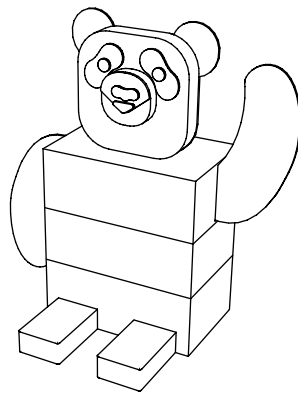


Create your Small World

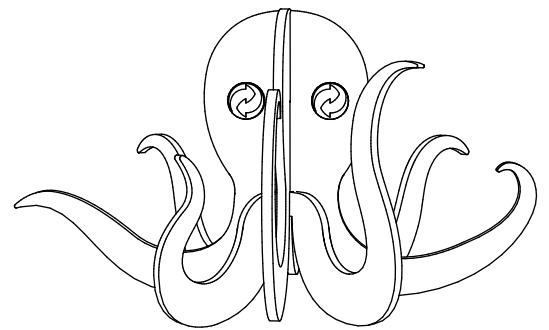
Find more Small World design blueprints at TheSmallWorldCollection.com



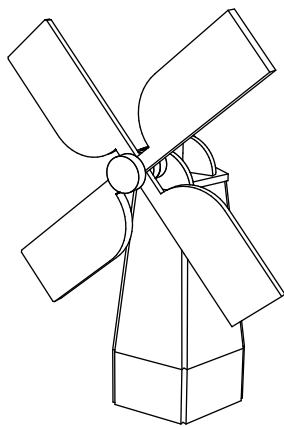
Bird



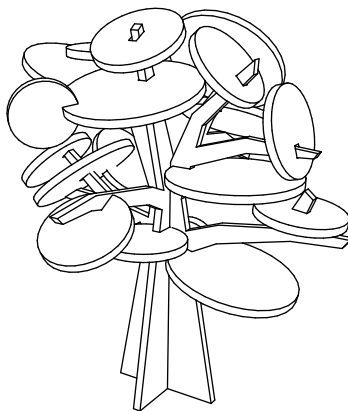
Panda



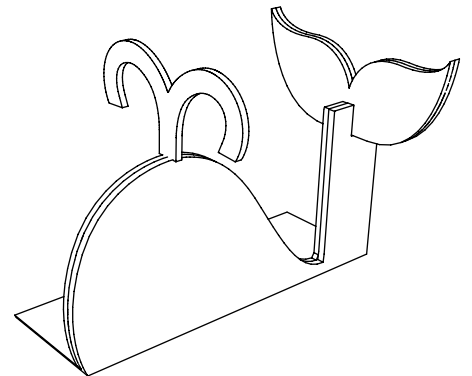
Octopus



Windmill



Cherry Blossom Tree



Whale