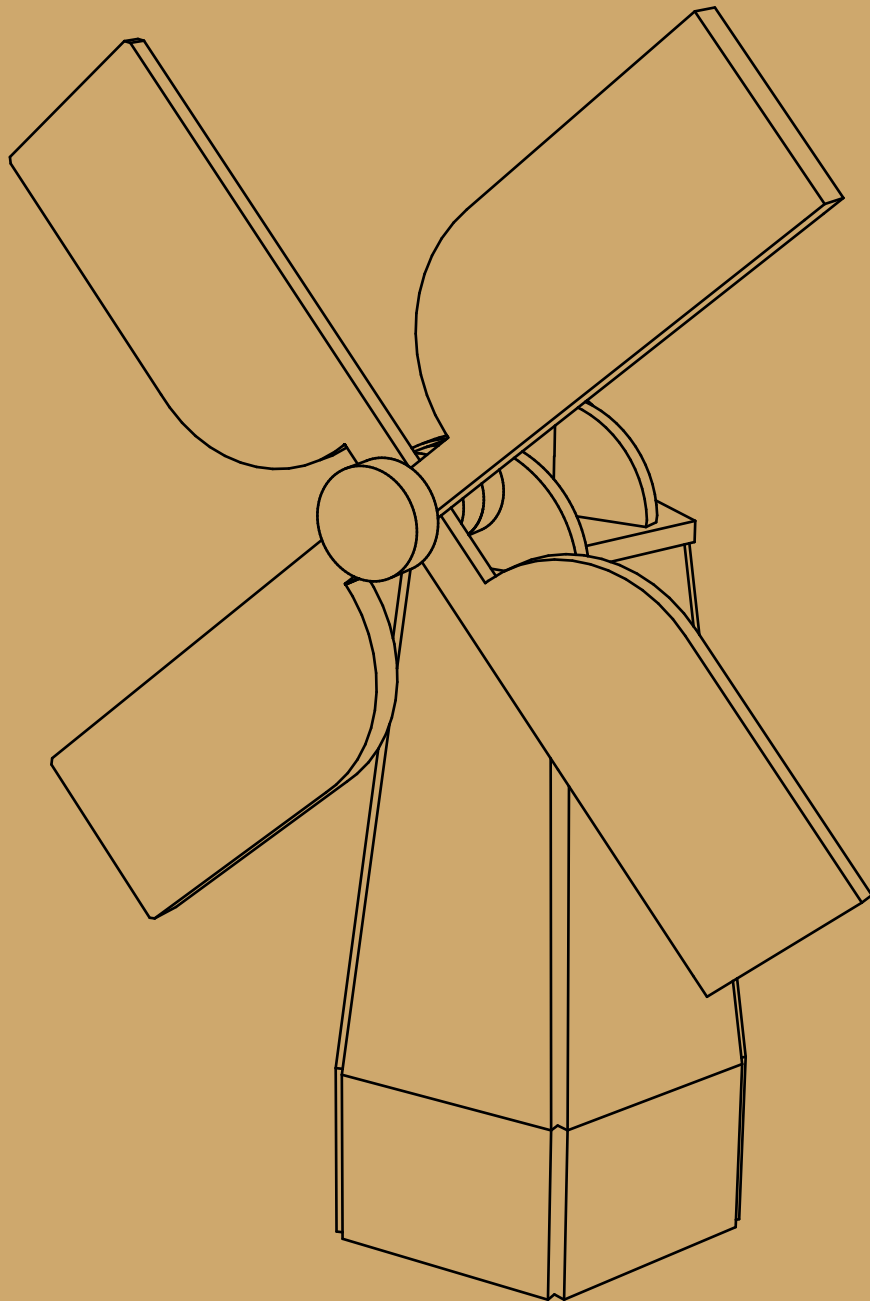
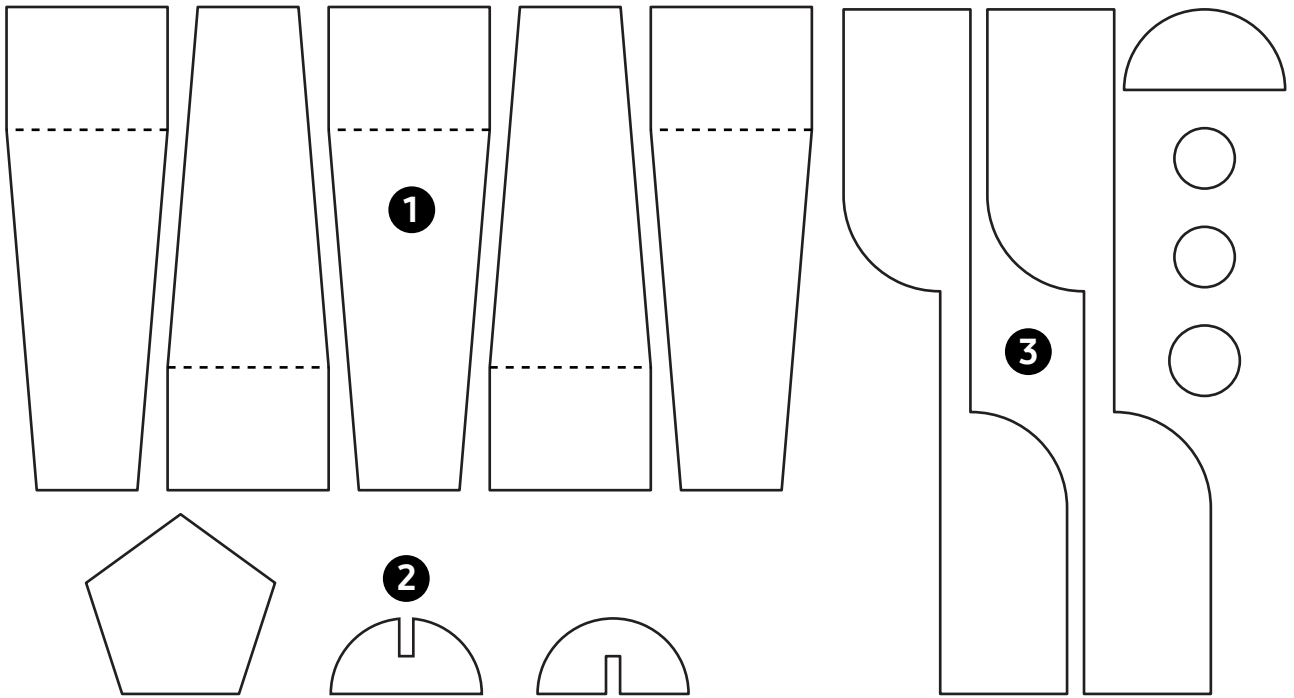


Small World

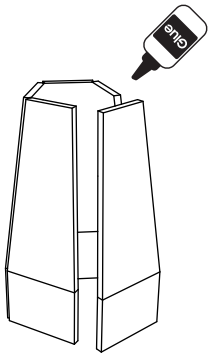
Windmill 4/6



Turn any used box into a windmill

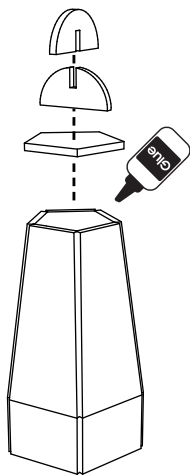


1



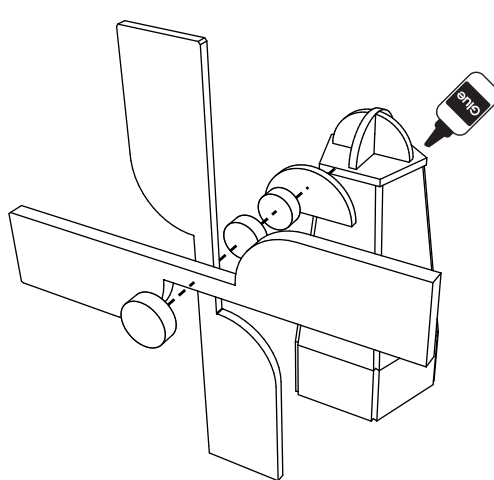
Glue the windmill faces together.

2



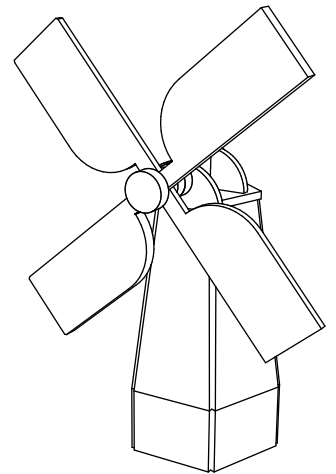
Slot the dome and glue the roof.

3



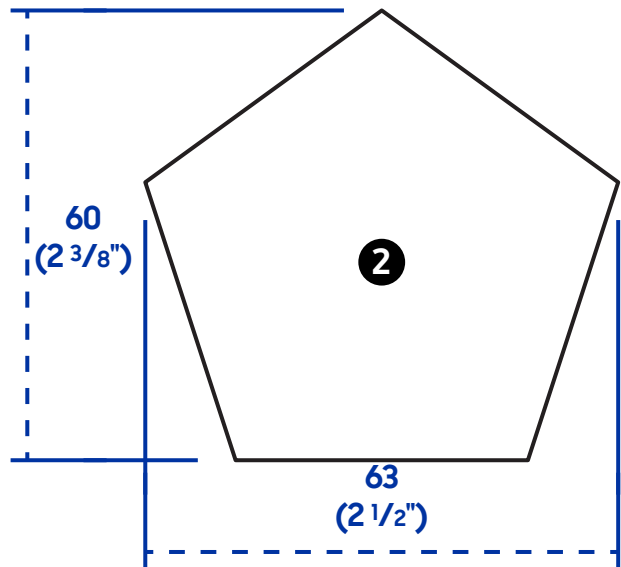
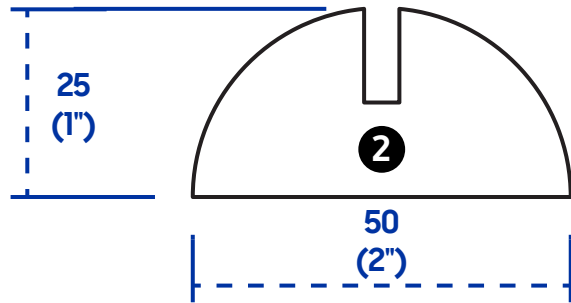
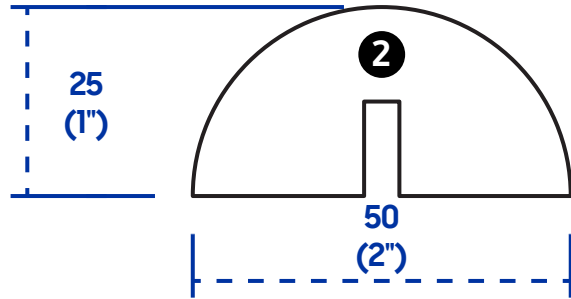
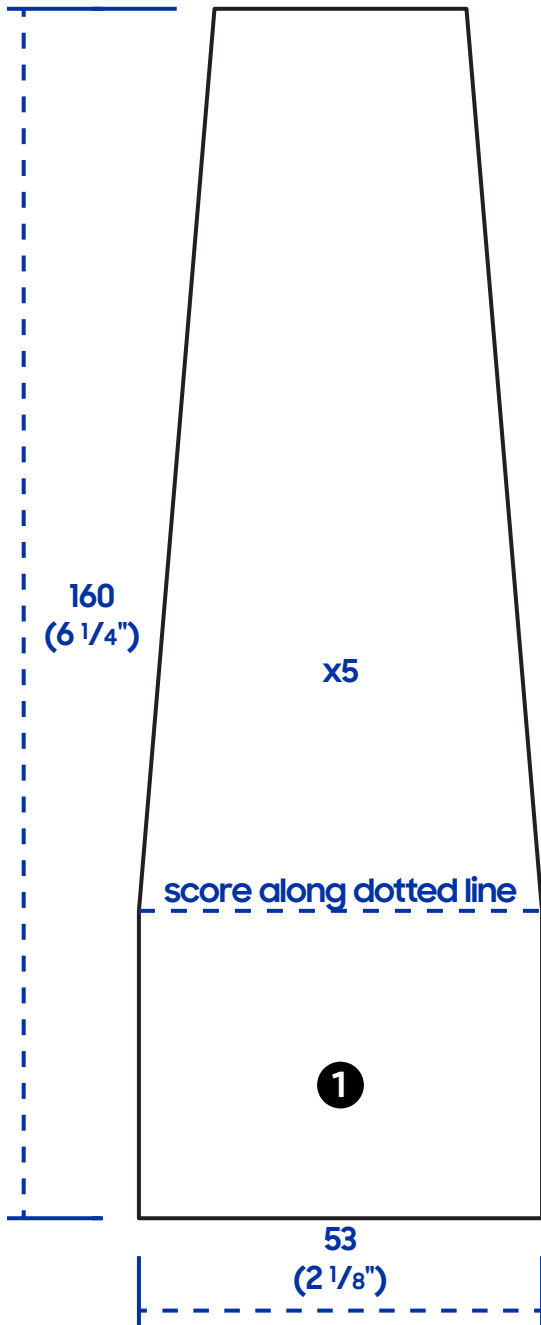
Glue the rotor pieces together.

4

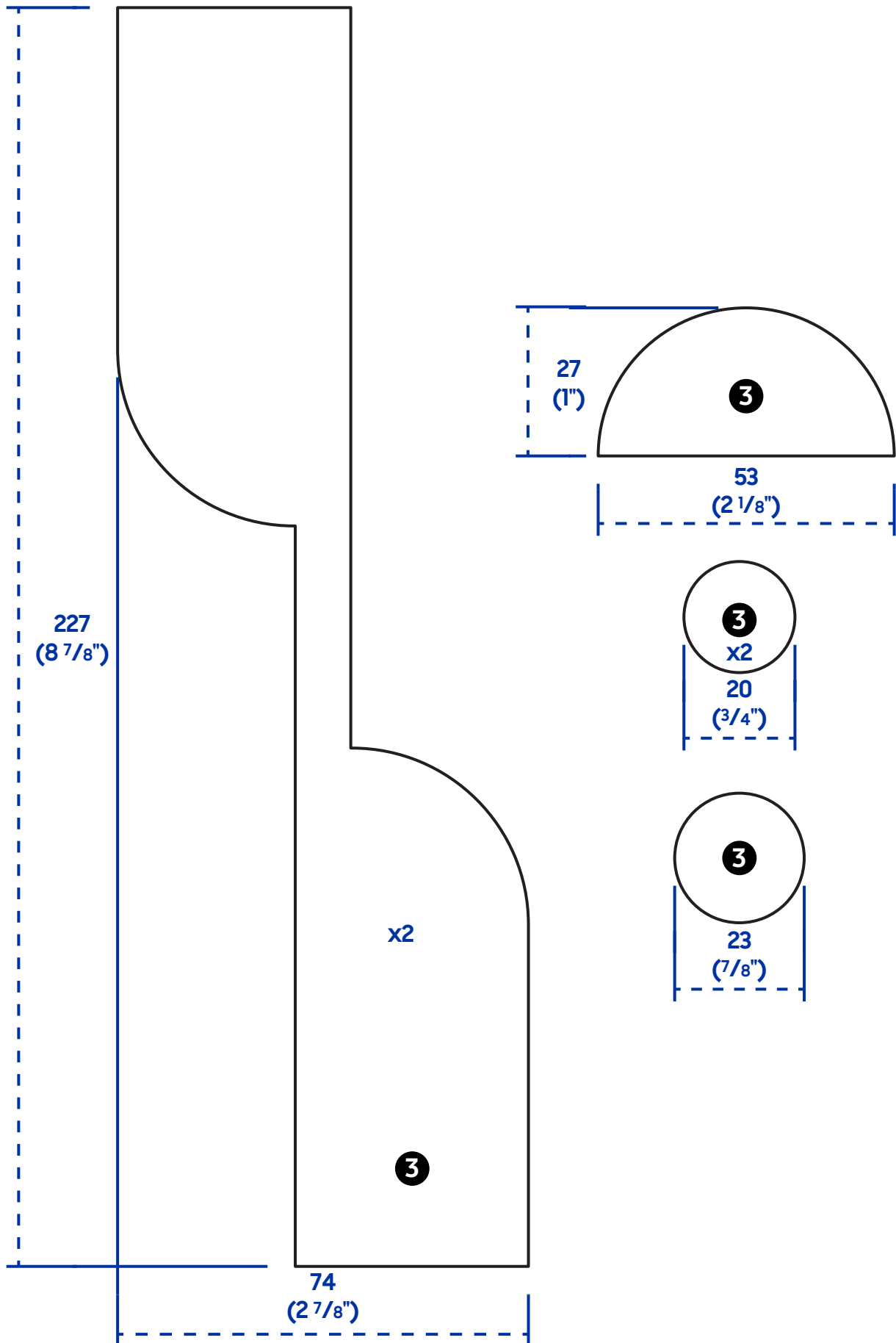


Catch the breeze.

Turn any used box into a windmill

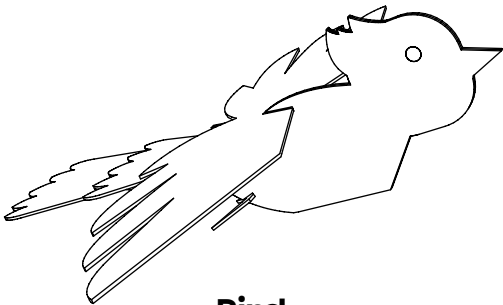


Turn any used box
into a windmill

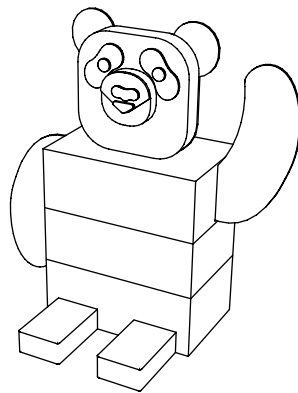


Create your Small World

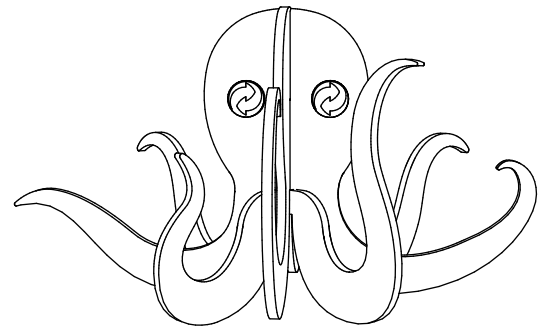
Find more Small World design blueprints at TheSmallWorldCollection.com



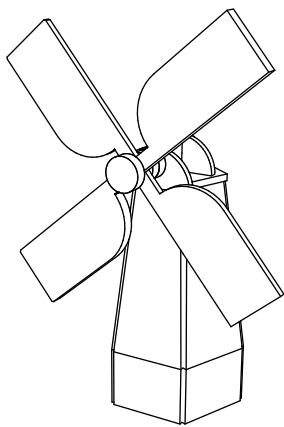
Bird



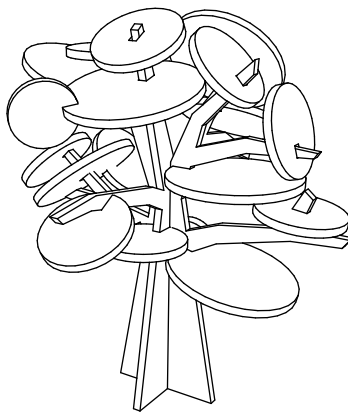
Panda



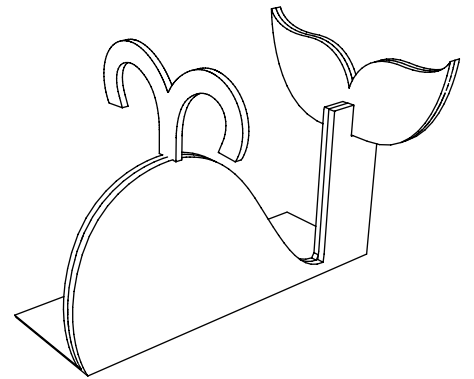
Octopus



Windmill



Cherry Blossom Tree



Whale